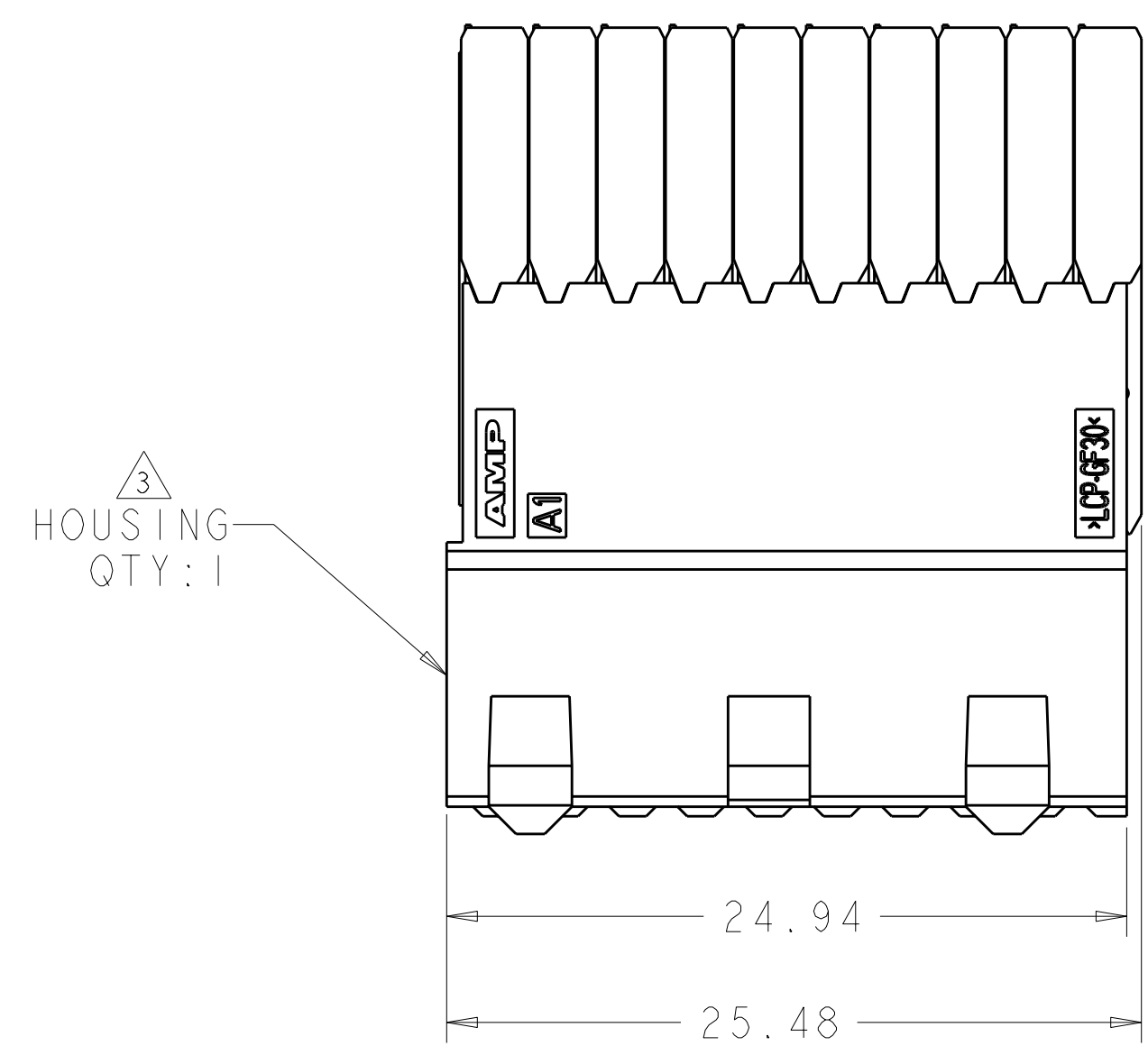
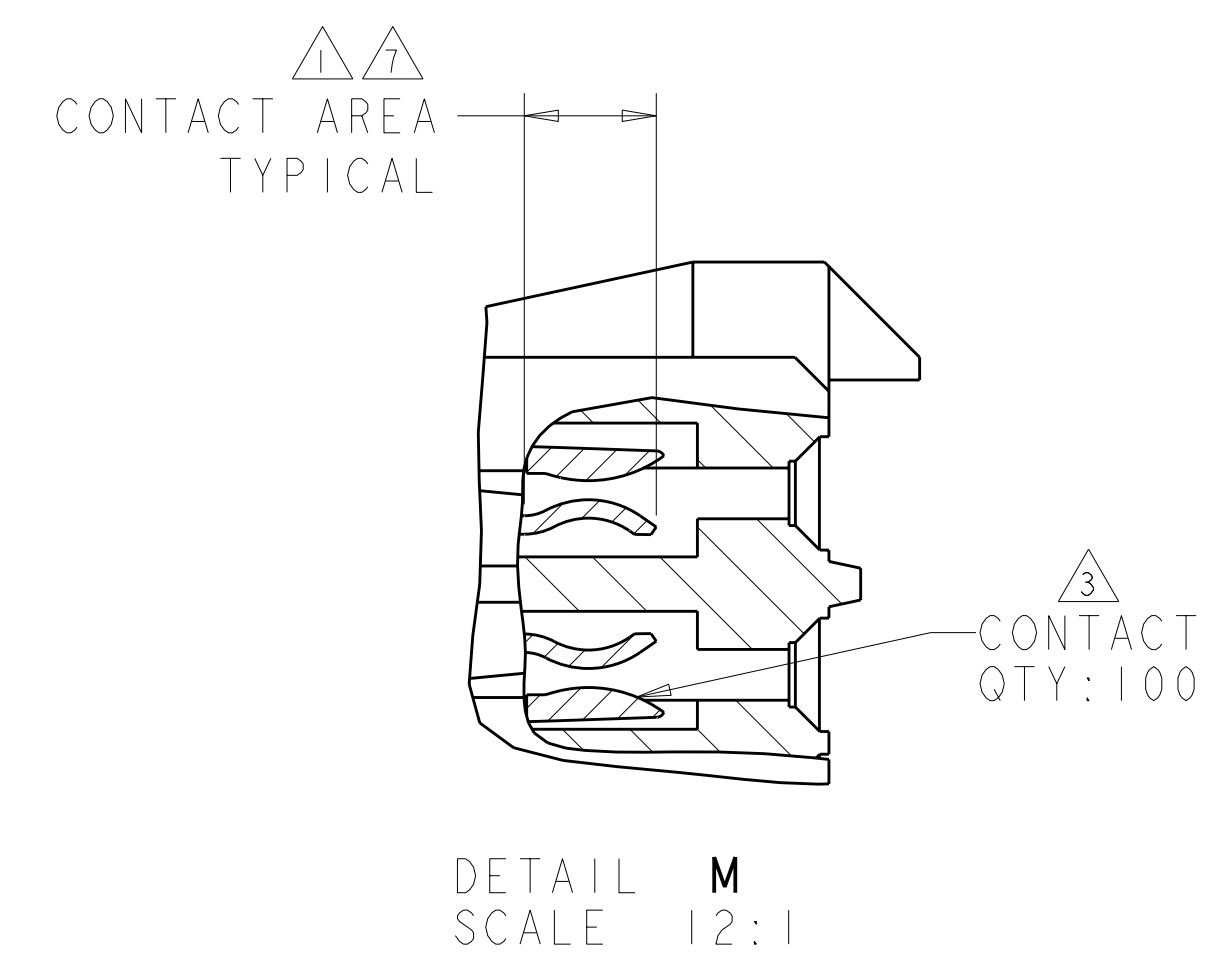
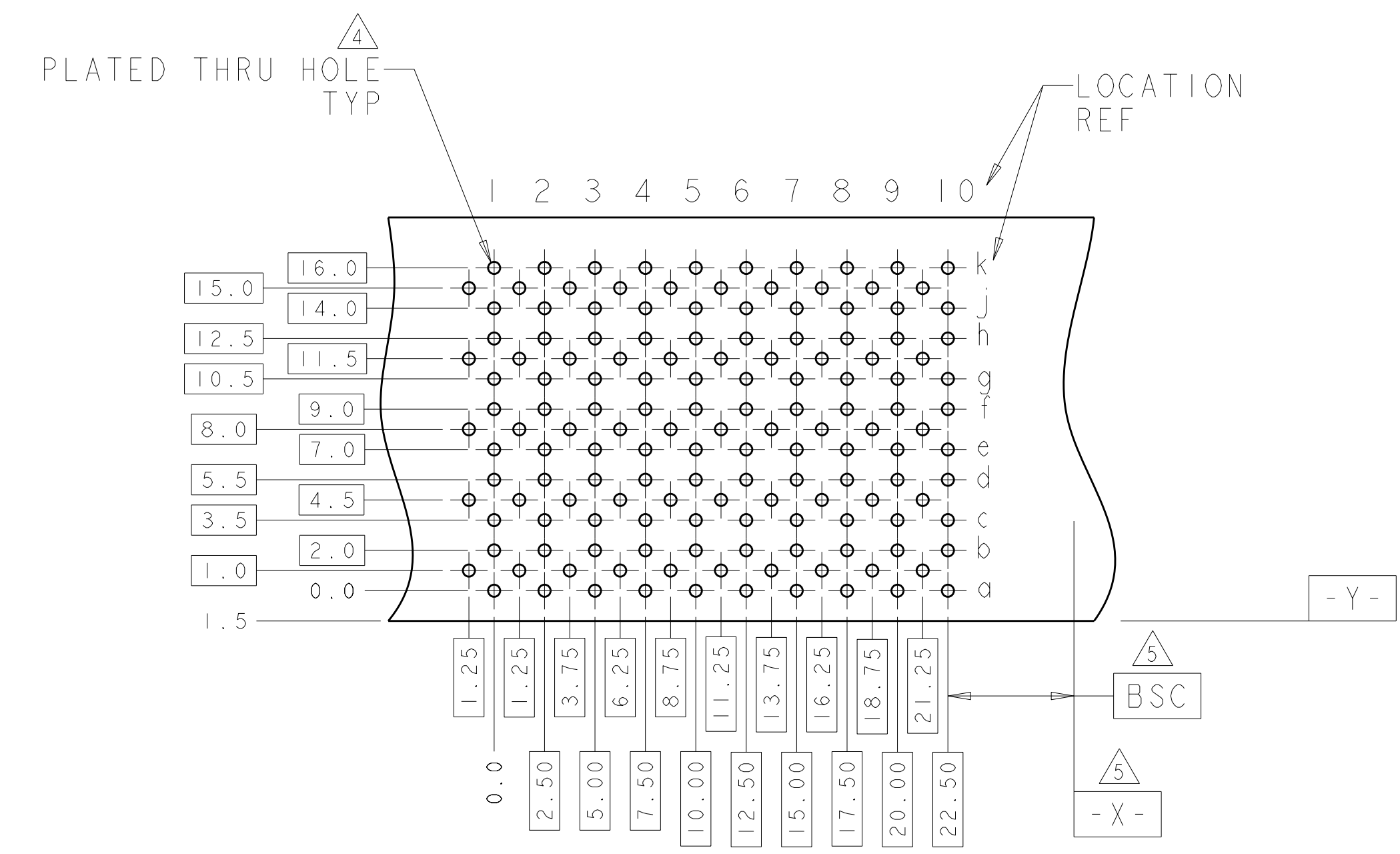
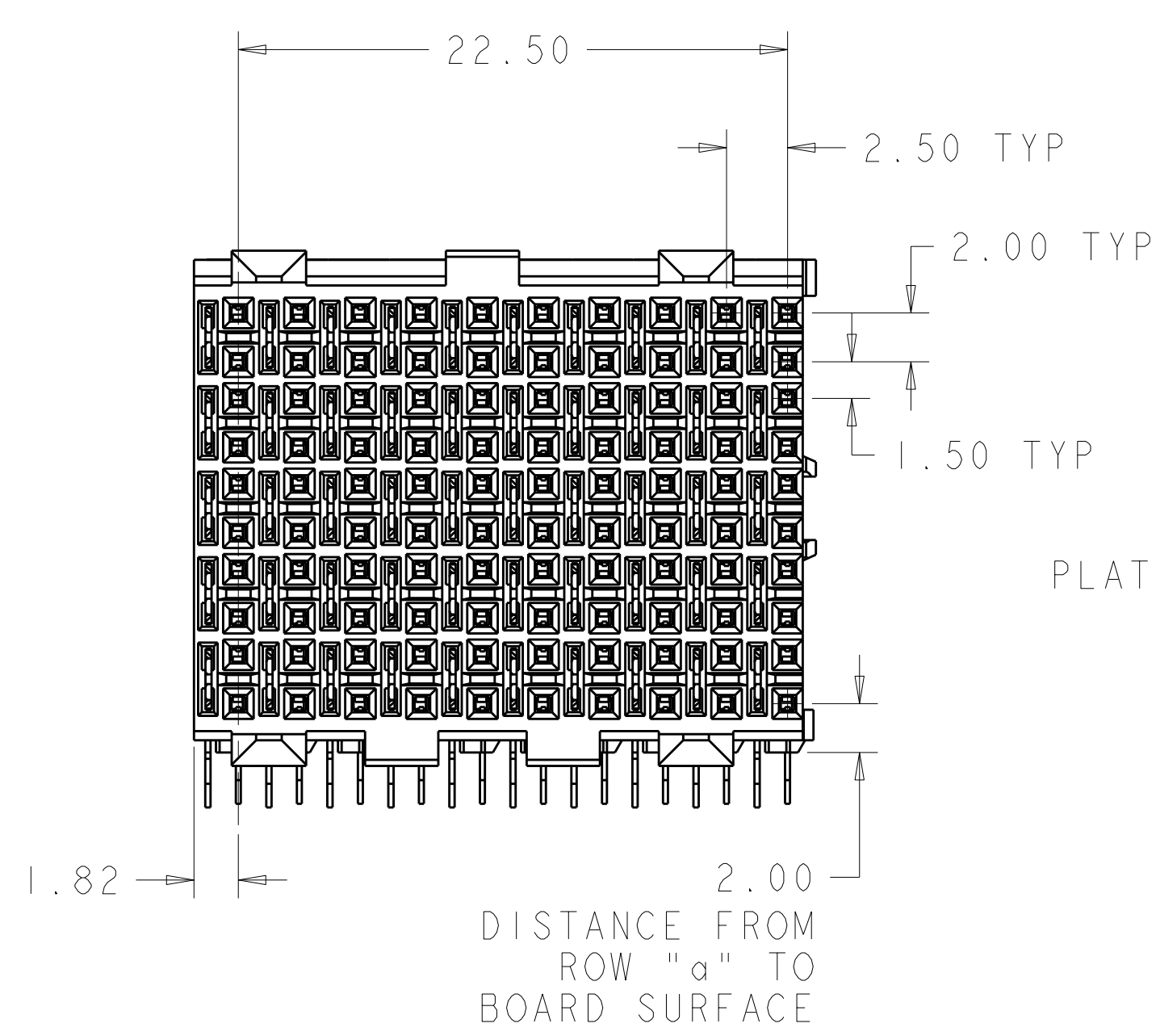
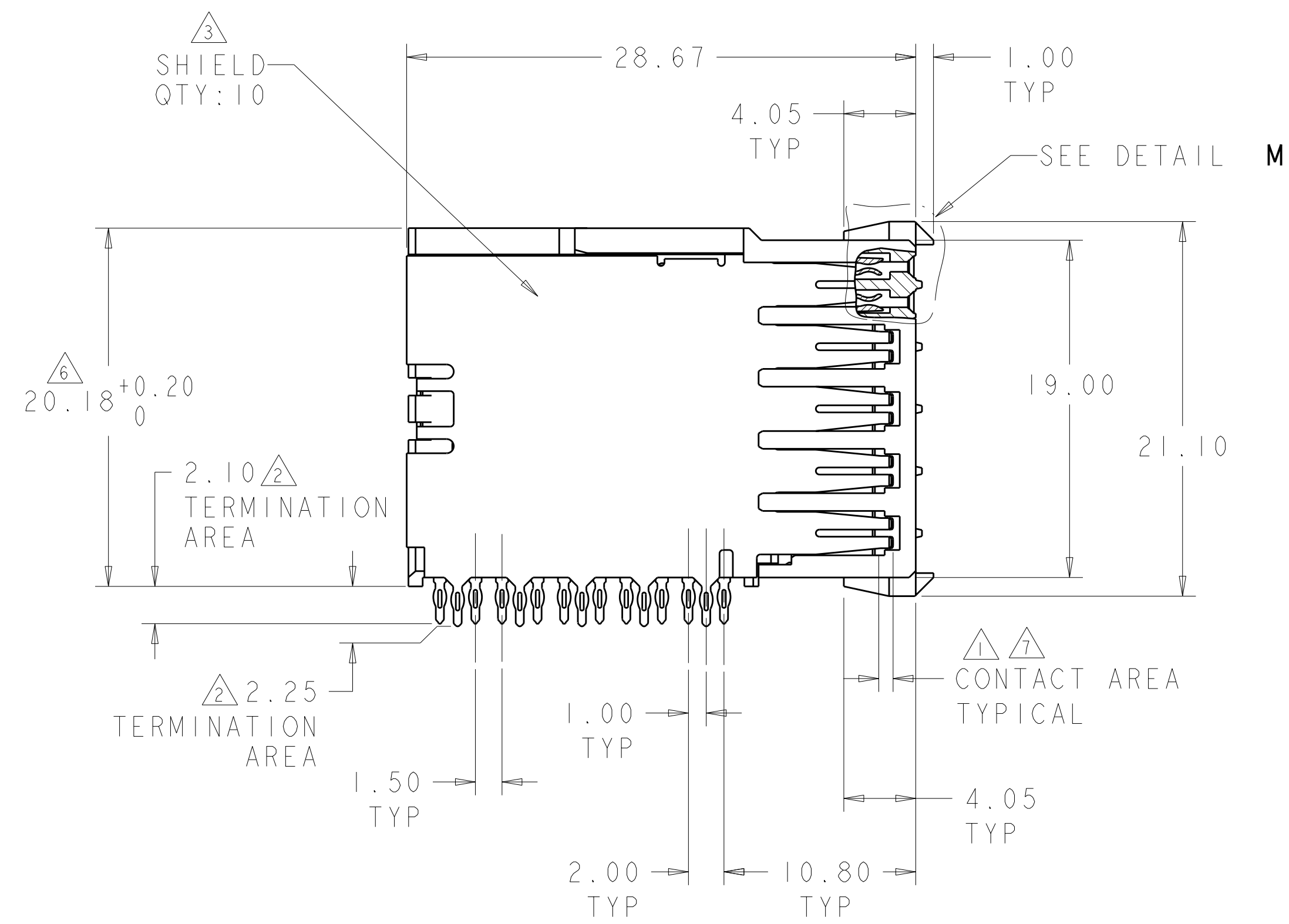


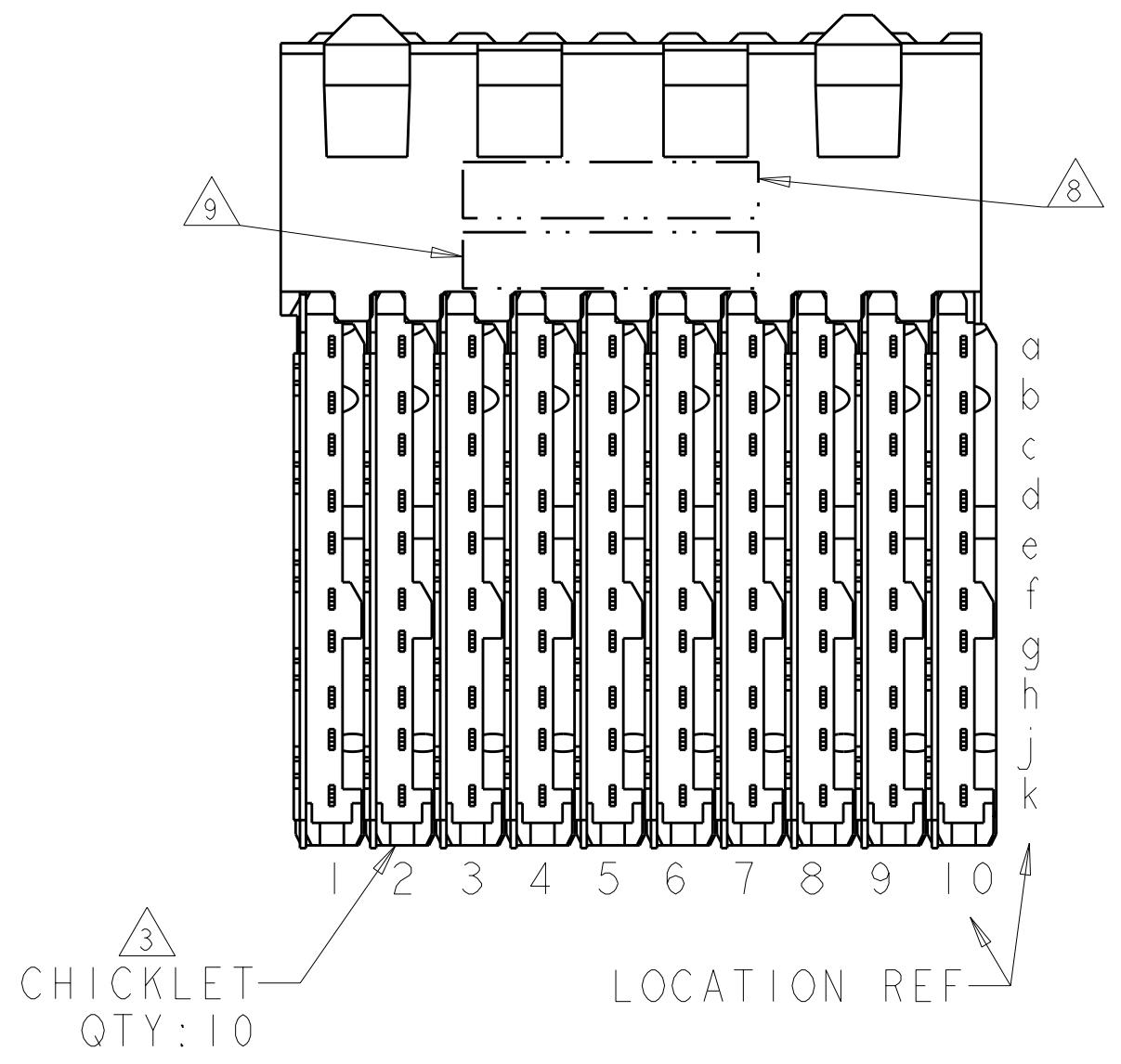
| LOC | DIST | REV | DESCRIPTION               | DATE      | DWN | APVD |
|-----|------|-----|---------------------------|-----------|-----|------|
| AD  | 00   | A   | REVISED PER ECO-11-013132 | 13JUL2011 | HMR | MH   |



- △ CONTACT MATING AREA MEETS THE PERFORMANCE REQUIREMENTS OF TE CONNECTIVITY PRODUCT SPECIFICATION 108-1957; BASED ON TELCORDIA GR-1217-CORE, APPLICATIONS IN UNCONTROLLED ENVIRONMENTS.
- △ 0.76µm MIN TIN OVER 1.27µm MIN NICKEL
- △ MATERIAL: CONTACT - COPPER ALLOY  
SHIELD - PHOSPHOR BRONZE  
HOUSING - LCP, UL94V-0  
CHICKLET - GLASS FILLED POLYESTER
- △ REFERENCE APPLICATION SPEC 114-13020 FOR RECOMMENDED PLATED THRU HOLE DIAMETER AND PLATING THICKNESS.
- △ DATUM AND BASIC DIMENSION ESTABLISHED BY CUSTOMER.
- △ SEATING HEIGHT TO BOARD SURFACE.
- △ CONTACT AREA LUBRICATED WITH BELLCORE APPROVED LUBRICANT. TECHNICAL REFERENCE: GR-1217-CORE, ISSUE 1, NOVEMBER 1995.
- △ DATE CODE
- △ PART NUMBER



RECOMMENDED PRINTED  
CIRCUIT BOARD LAYOUT  
COMPONENT SIDE OF PRINTED CIRCUIT BOARD



5120790-1  
PART NUMBER

|  |  |                             |         |   |
|--|--|-----------------------------|---------|---|
| THIS DRAWING IS A CONTROLLED DOCUMENT. |  | DWN: B. CARBO               | 08DEC04 | TE Connectivity   |
| DIMENSIONS: mm                         |  | CHK: R. PATTERSON           | 08DEC04 |   |
| TOLERANCES UNLESS OTHERWISE SPECIFIED: |  | APVD: R. PATTERSON          | 08DEC04 | NAME: RECEPTACLE ASSEMBLY, 100 POSITION<br>10 ROW, DUAL BEAM,<br>Z-PACK HS3 |
| 9 PLC ±0.2                             |  | PRODUCT SPEC: 108-1957      |         |   |
| 1 PLC ±0.13                            |  | APPLICATION SPEC: 114-13020 |         | SIZE: CAGE CODE DRAWING NO. RESTRICTED TO                                   |
| 3 PLC ±0.05                            |  | WEIGHT: -                   |         | A100779C=5120790  |
| 4 PLC ±0.1                             |  | SOLDER TAIL: 2              |         | SCALE: 4:1 SHEET 1 OF 1 REV A   |
| ANGLES ±0.1                            |  | CONTACT: 3                  |         | CUSTOMER DRAWING  |